



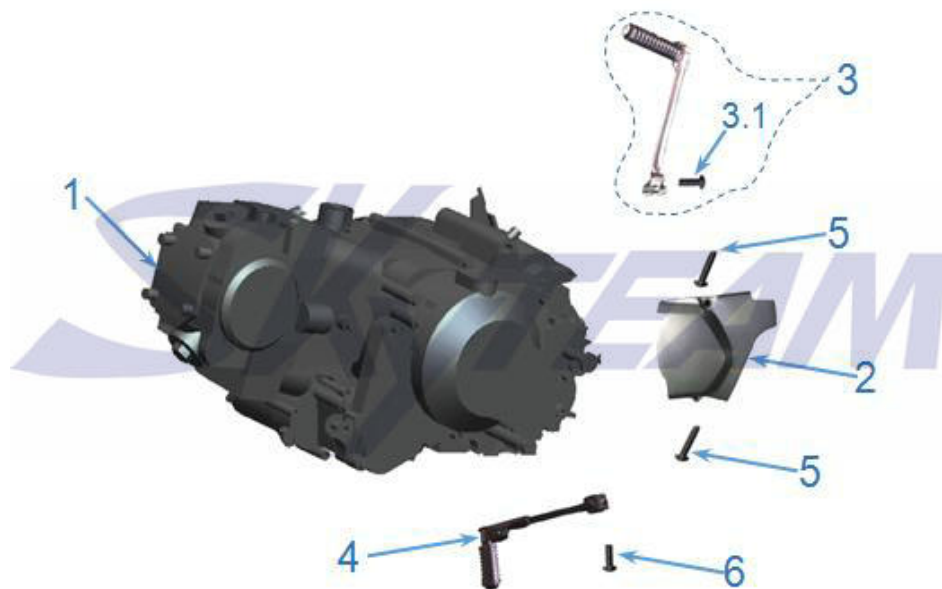
CATALOGO PIEZAS RECAMBIOS

DINGO 125 / SKYMAX 125



ST/25-6 E4

发动机部分: ENGINE



No.	Part number	Part name(ENGLISH)	Part name(CHINESE)	QTY. on each bike	REMARK
1	11000-16H01	125cc Engine		1	
2	11001-14A00	Rear Left Cover, Engine		1	
3	26300-17K00	Kick Starter		1	
3.1	GB/T 5783 M6X20-Zn	M6x20 Bolt		1	
4	25600-18H00	Shift Pedal Assy		1	
5	GB/T 16674 M6X28-Zn	M6x28 Bolt		2	
6	GB/T70.1 M6X20-Zn.DJ	M6X20 Bolt		1	

电喷系统: FUEL INJECTION SYSTEM



No.	Part number	Part name(ENGLISH)	Part name(CHINESE)	QTY. on each bike	REMARK
1	11011-15AD0	Intake Manifold		1	
2	81115-27A00	M6X25 Bolt		2	
3	33920-16H00	Fuel Injector (80g)		1	
4	33921-16H00	Oil Nozzle		1	
5	33922-15A00	Pressing Plate,Oil Nozzle		1	
6	GB/T70.1 M5X12-304	M5x12 Bolt		1	
7	33910-16H00	ECU		1	original one

电喷系统: FUEL INJECTION SYSTEM

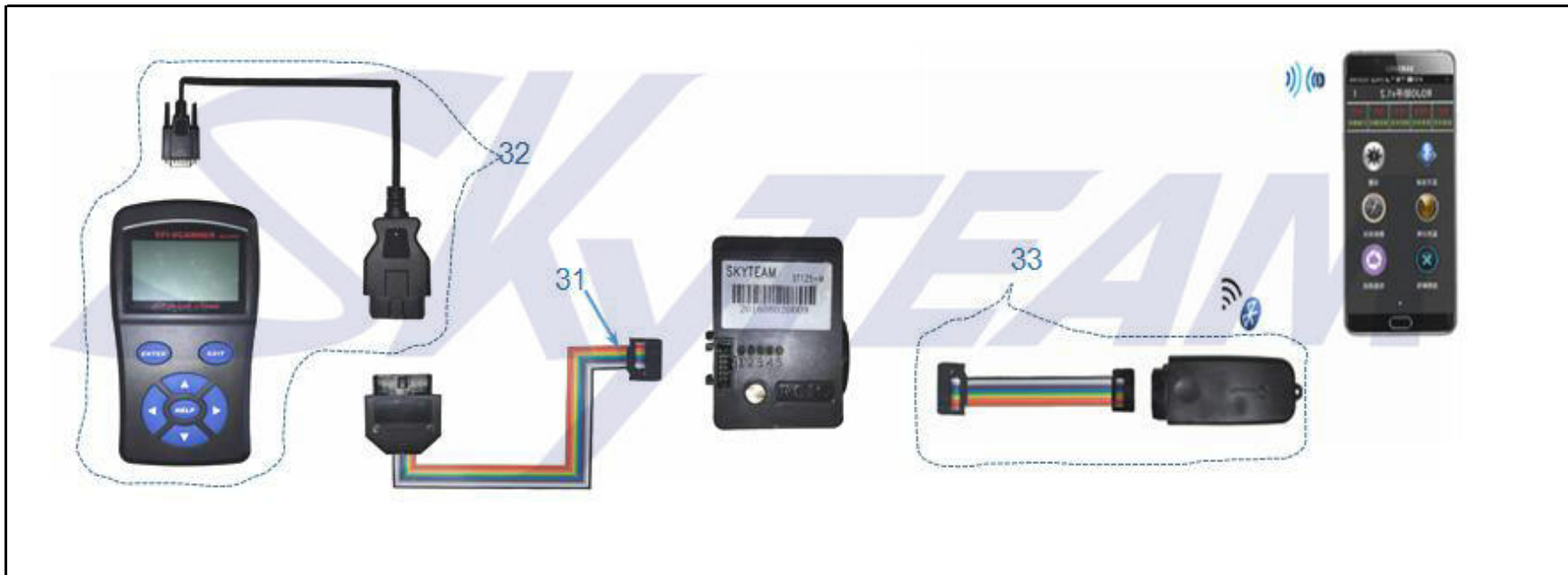


No.	Part number	Part name(ENGLISH)	Part name(CHINESE)	QTY. on each bike	REMARK
7	33910-16H10	ECU		1	improved one after Aug.2017
7,1	33913-16H00	Plug, ECU		1	
8	GB70.2-2000 M5X12-304	Bolt		4	
9	13510-15A00	Throttle Valve		1	
10	13520-15A00	Throttle Valve Cap		1	cannot supply separately
11	13530-15A00	Connecting Pipe/Clip, Pipe Inlet		1	
12	44420-17H00	Quick Fuel Hose		1	original one
	44420-17H10	Quick Fuel Hose		1	improved one after Aug.2017

电喷系统: FUEL INJECTION SYSTEM

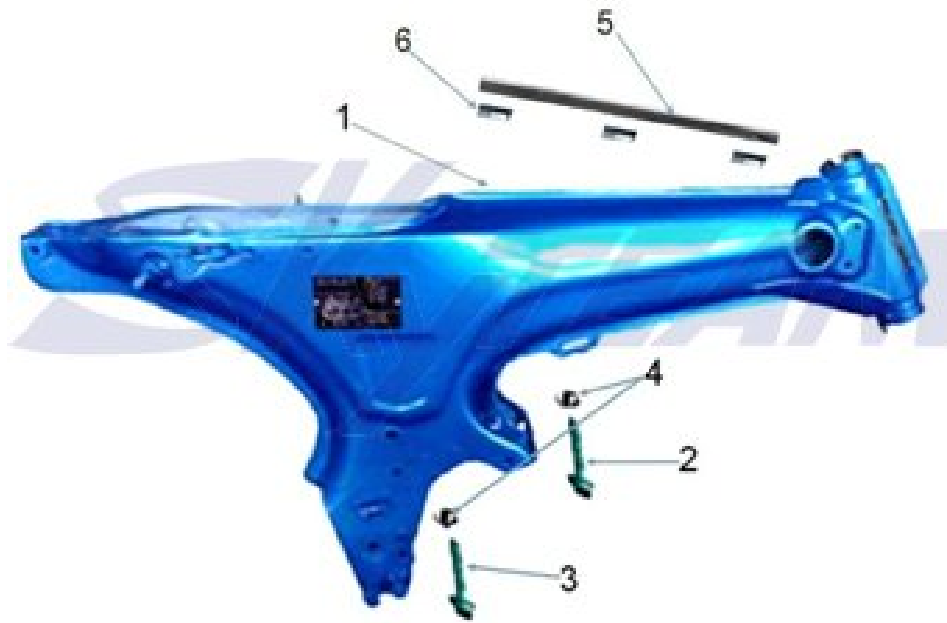
No.	Part number	Part name(ENGLISH)	Part name(CHINESE)	QTY. on each bike	REMARK
13	33940-16H00	Electromagnetic Plunger Pump		1	
14	41129-17H00	Electromagnetic Pump Holder		1	original one
	41129-17H10	Electromagnetic Pump Holder		1	improved one after Aug 2017
15	GB/T16674 M6X12-Zn.DJ	M6×10 Flange Bolt		1	
16	44127-17H00	Vacuum Fuel Pump		1	
17	44128-17H00	Bracket, Vacuum Fuel Pump		1	
18	GB/T16674 M6X16-Zn.DJ	M6×16 Flange Bolt		1	
19	GB/T 6177 .1 M6-Zn.DJ	M6 Flange Nut		1	
20	44400-15A00	Oil Filter		1	
21	44401-17H00	Holder, Oil Filter		1	
22	36611-16H00	ECU Connection Line 1		1	
23	36612-16H00	ECU Connection Line 2		1	
23	36612-16H10	ECU Connection Line 2		1	improved one, can also be used
24	33930-16H00	Lambda Sensor		1	
25	33931-16H00	Plug In Unit Holder,Lambda Sensor		1	
26	33400-16H00	Ignition Coil		1	
27	GB/T70.1 M5X16-Zn.DJ	M5×16 Flange Bolt		2	
28	GB/T 6177 .1 M5-304	M5 Flange Nut		2	
29	33510-17H00	Bracket, Ignition Mode		1	
30	GB/T 6177 .1 M6-Zn.DJ	M6 Flange Nut		1	

电喷系统: **OB2 - FUEL INJECTION SYSTEM**



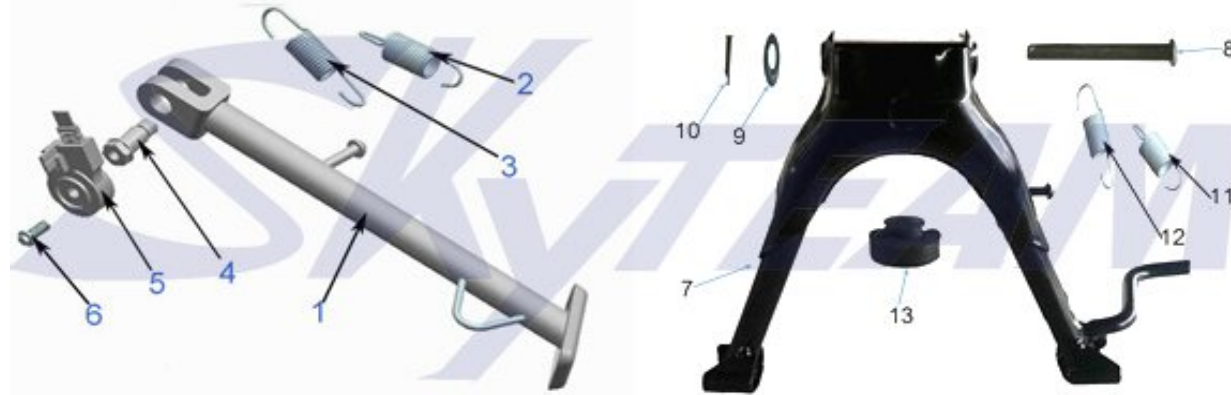
No.	Part number	Part name(ENGLISH)	Part name(CHINESE)	QTY. on each bike	REMARK
31	33911-16H00	OBD connection line		1	
32	33990-16H00	Diagnostic instrument		1	
33	33912-16H00	OBD Bluetooth adapter		1	

车架: FRAME



No.	Part number	Part name(ENGLISH)	Part name(CHINESE)	QTY. on each bike	REMARK
1	41100-17H10	Frame Comp		1	5.5L
2	09111-10W00	M8x136 Bolt		1	
3	09112-14A10	M8x125 Bolt		1	
4	GB/T 6187.1 M8-Zn.DJ	Flange Nut		2	
5	41211-14A00	Decoration Strip		1	
6	41212-14A00	Clip, Decoration Strip		3	

单撑、双撑：SIDE STAND, CENTER STAND



No.	Part number	Part name(ENGLISH)	Part name(CHINESE)	QTY. on each bike	REMARK
1	42310-14A10	Side Stand		1	
2	42312-Z1000	Outer Spring, Side Stand		1	
3	42321-Z1000	Inner Spring, Side Stand		1	
4	42311-23H00	Bolt, Side Stand		1	
5	42313-Y1000	Switch, Side Stand		1	
6	42315-Y1000	Bolt, Side Stand Switch		1	
7	42100-14A10	Center Stand		1	
8	42211-14A00	Shaft, Center Stand		1	
9	GB/T 97.1 16-Zn.DJ	Washer		1	
10	GB/T 91 3.2X25-Zn.DJ	Cotter Pin		1	
11	42312-Z1000	Outer Spring, Center Stand		1	
12	42321-Z1000	Inner Spring, Center Stand		1	
13	42222-14A00	Cushion, Center Stand		1	

搁脚部分: FOOTREST ASSY



No.	Part number	Part name(ENGLISH)	Part name(CHINESE)	QTY. on each bike	REMARK
1	43510-14A10	Front Footrest Assy		1	
1.1	43511-Z1000	Rubber, Front Footrest		2	
2	GB/T16674 M8X16-Zn.DJ	M8X16 Bolt		4	
3	43620-14A00	Rear Footrest, Left		2	
4	GB/T16674 M10x20x1.25-S14-Zn.DJ	M10x20 Bolt		2	
5	GB/T 97.1 10-Zn.DJ	ø10 Washer		2	

电器部分: ELECTRICAL COMPONENTS



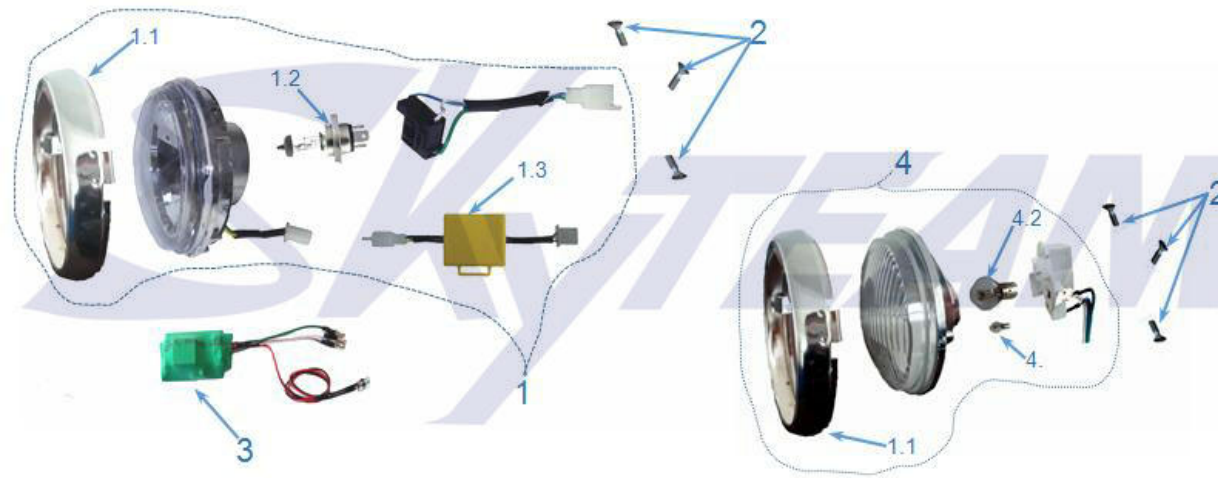
No.	Part number	Part name(ENGLISH)	Part name(CHINESE)	QTY. on each bike	REMARK
1	36610-17H03	Wiring Harness		1	
2	36621-15A00	Cushion, Wiring Harness		1	
3	32800-27H00	Rectifier Assy		1	
4	31800-Y1000	Start Relay		1	
5	31810-17H00	Bracket, Start Relay		1	
6	38500-14A10	Horn Assy		1	Φ8 HOLE

电器部分: ELECTRICAL COMPONENTS



No.	Part number	Part name(ENGLISH)	Part name(CHINESE)	QTY. on each bike	REMARK
7	38620-Y1001	Flash Relay		1	OPTIONAL
8	35610-27A00	Bracket, Flash Relay		1	
9	33610-14A00	12V4AH Battery		1	
10	41510-17H10	Holder, Battery		1	
11	41522-14A10	Band, Battery		1	
12	37000-14A00	Lock Assy		1	
13	37750-Z1000	Brake Switch, Rear		1	
14	GB/T16674 M6X12-Zn.DJ	M6X12 Flange Bolt		5	
15	GB 819.1 M6X12-Zn.DJ	Screw		2	

仪表和灯具 :SPEEDOMETER & LAMPS

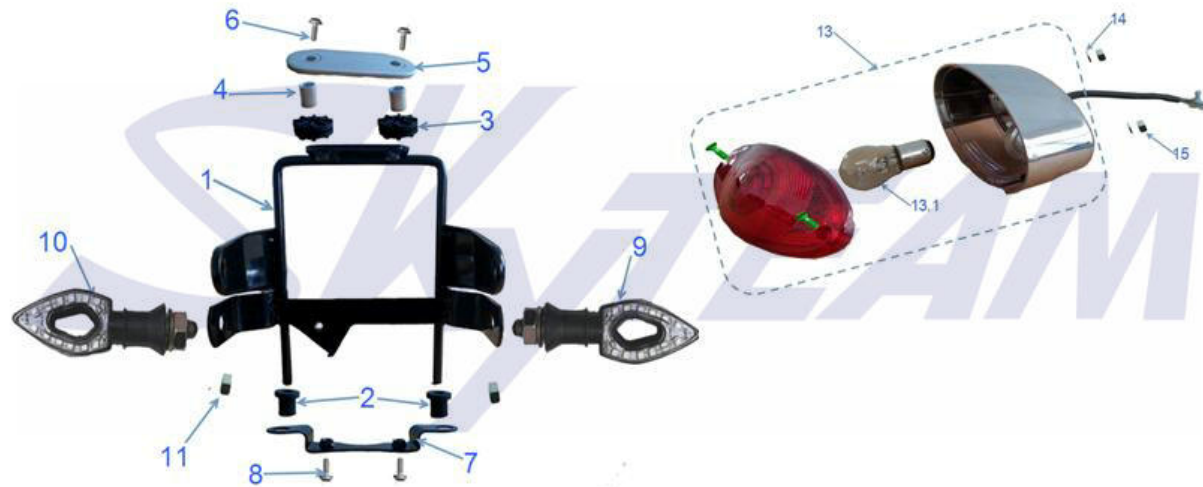


No.	Part number	Part name(ENGLISH)	Part name(CHINESE)	QTY. on each bike	REMARK
1	35100-17H00	Headlamp Assy (with LED DRL)		1	STANDARD
1.1	35112-14A00	Ring, Headlamp Lens		1	
1.2	35115-29A00	Bulb, Headlamp		1	
1.3	37910-17H00	LED Controller		1	
2	GB/T 820 M5X16-Zn.DJ	Screw		3	
3	37920-17H00	Controller, Automatic Headlamp		1	OPTIONAL, SAME AS E3
4	35100-14A00	Headlamp Assy		1	
4,1	35107-Y1000	Bulb, Headlamp		1	
4,2	35106-Y1000	Bulb, position		1	

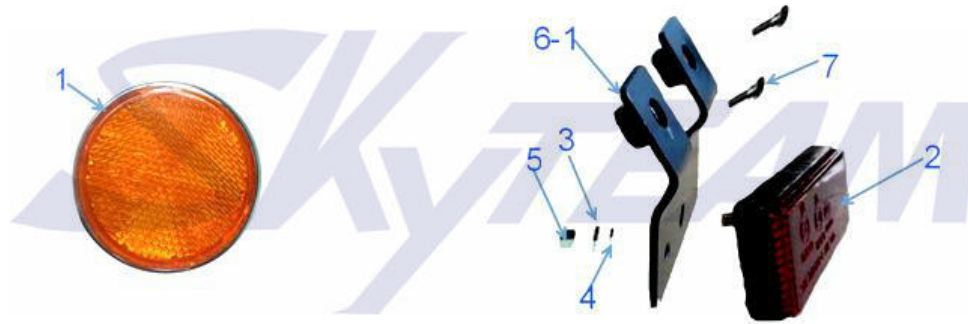
仪表和灯具 :SPEEDOMETER & LAMPS



No.	Part number	Part name(ENGLISH)	Part name(CHINESE)	QTY. on each bike	REMARK
1	34100-17H02	LCD Speedometer Assy		1	
1.1	34112-17H02	Plastic Ring, Speedometer		1	
1.2	34113-17H02	Board, Speedometer		1	cannot supply separately
1.3	34115-14G00	Rubber Ring, Speedometer		1	cannot supply separately
2	54600-16H01	Inductance Gear Box Assv.Speedometer		1	
3	35121-14A10	Housing, Headlamp		1	
4	35122-14A00	Cushion		2	
5	GB/T 70.2 M8X20-304	M8X20 Bolt		2	
6	GB/T 6170 M8-Zn.DJ-S14	M8 Nut		2	



1	46710-14A00	Bracket, Head Lamp		1	
2	46705-14A00	T Rubber Cover		2	
3	34120-10A00	Cushion		1	
4	44415-15A00	Bushing		2	
5	51511-14A00	Decorative Plate		1	
6	GB/T 16674 M6X25-A2-70-304	M6X25 Flange Bolt		1	
7	46720-10A00	Lower Mounting Plate		1	
8	GB/T16674 M6X35-Zn.DJ	M6X35 Bolt		2	
9	35210-17H30	LED Signal Lamp Assy, Front, Lh		2	
10	35310-17H30	LED Signal Lamp Assy, Front, Rh		2	
11	GB/T 6177 .1 M10×1.25-S14-Zn.DJ	M10 Nut		4	
13	35710-Y1000	Tail Lamp Assy (Ellipse)		1	
13.1	35711-Y1000	Bulb, Tail Lamp		1	
14	GB/T 97.1 6-Zn.DJ	ø6 Washer		2	
15	GB/T 6170 M6-Zn.DJ	M6 Nut		2	



1	38110-Y1010	Side Reflector		2	
2	38160-Y1000	Rear Reflector		1	
3	GB/T 96 5-Zn.DJ	ø5 Washer		1	
4	GB/T 93 5-Zn.DJ	ø5 Spring Washer		1	
5	GB/T 6170 M5-Zn.DJ	M5 Nut		1	
6-1	38162-17H00	Bracket, Rear Reflector		1	
7	47131-10H00	M6X16 Screw		2	

手把开关: HANDLE SWITCHES



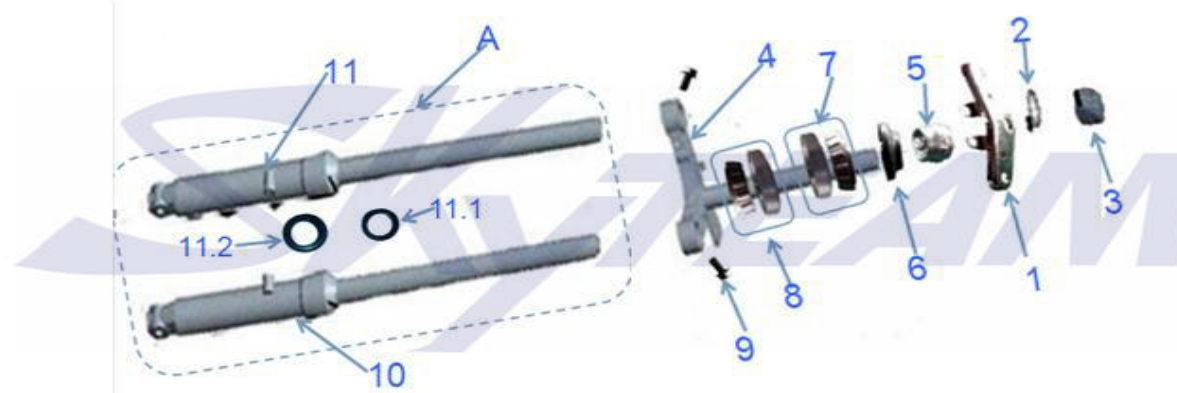
1	57600-17H20-0AD	Left Handle Switch		1	FOR FRONT LAMP WITH
1-1	57600-15A10-0AD			1	FOR NORMAL FRONT LAMP
1.1	57511-Z1000	Lever, Clutch		1	
1.2	57513-Z1000	Bolt, Clutch Lever		1	
2	57300-21G00-010	Right Handle Switch Assy		1	
2.1	57310-21G00-010	Right Handle Switch		1	
2.2	57320-Z1010	Grip, Throttle		1	
3	57210-Z1000	Grip, Lh		1	

方向把: HANDLE BAR



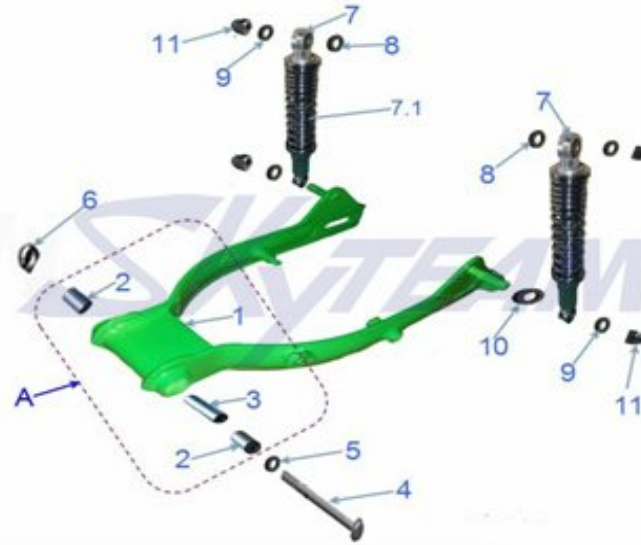
1	56110-15A00	Handlebar, Lh		1	
2	56120-15A00	Handlebar, Rh		1	
3	56140-15A00	Holder, Handle Bar		1	
4	56130-15A00	Lock, Handlebar		2	
5	56141-15A00	Spring		2	
6	GB/T 6187.2 M10X1.25-Zn D.I	Flange Nut		2	

前叉: FRONT FORK



1	51310-14A00	Steering Head		1	
2	51612-Z1000-304	Washer		1	
3	51633-Z1000	Steering Nut		1	
4	51410-14A10	Steering Stem		1	
5	51631-D0300	Steering Locking Nut		1	
6	51643-D0300	Dust Seal		1	
7	51650-Z1000	Needle Bearing, Upper		1	
8	51660-Z1000	Needle Bearing, Lower		1	
9	GB/T16674 M8x35-Zn.DJ	M8X30 Flange Bolt		2	
A	51100-14A10	Front Shock Absorber Assy.		1	
10	51150-14A10	Shock Absorber, Front, Lh		1	
11	51160-14A10	Shock Absorber, Front, Rh		1	
11,1	51170-16H00	Oil Seal		2	
11,2	51171-16H00	Seal Cap		2	

后平叉 后减震: REAR SWING ARM & REAR SHOCK ABSORBER



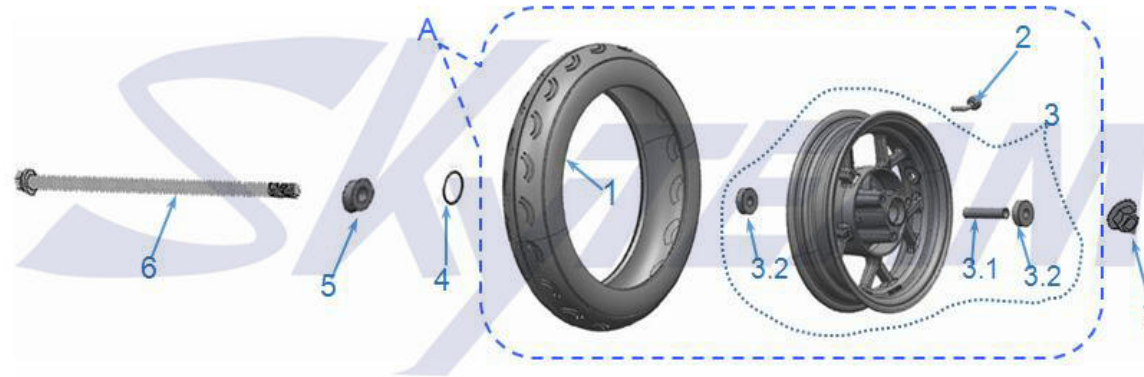
A	61000-17H10	Swing Arm Comp		1	
1	61100-17H10	Swing Arm		1	
2	61251-14A00	Bushing		2	
3	61276-14A00	Middle Bushing		1	
4	61211-14A10	Axle, Swing Arm		1	
5	GB/T 97.1 10-Zn.DJ	Washer		1	
6	GB/T 6187.2 M10X1.25-Zn.DJ	M10 Flange Nut		1	
7	62100-14A10	Rear Shock Absorber Assy		2	
7.1	62170-14A10	Oil Seal		2	
8	GB/T 97 12-Zn.DJ	ø12 Washer		2	
9	GB/T 96 10-Zn.DJ	ø10 Washer		4	
10	61101-14A10	Spacer		1	
11	GB/T 923 M10X1.25-304	M10 Cap Nut		4	

前轮: FRONT WHEEL



A	55000-16HG0	FRONT WHEEL ASSY		1	
1	55100-16H00	Tire		1	
2	55110-16H10	Valve Tube		1	
3	55300-16H40	Front Rim		1	
3.1	C0707-1218B	Middle Bushing		1	
3.2	GB/T 276 6201-ZRS	Bearing		2	
3.3	55342-15A10	Dust Seal		1	
4	54600-16H01	Gear Box Assy, Speedometer		1	
5	54121-Z1000	Bushing, Front Wheel, L		1	
6	54711-Z1000	Axle, Front Wheel		1	
7	GB/T 6187.2 M12X1.25-Zn,D,J	M12 Flange Nut		1	

后轮: REAR WHEEL



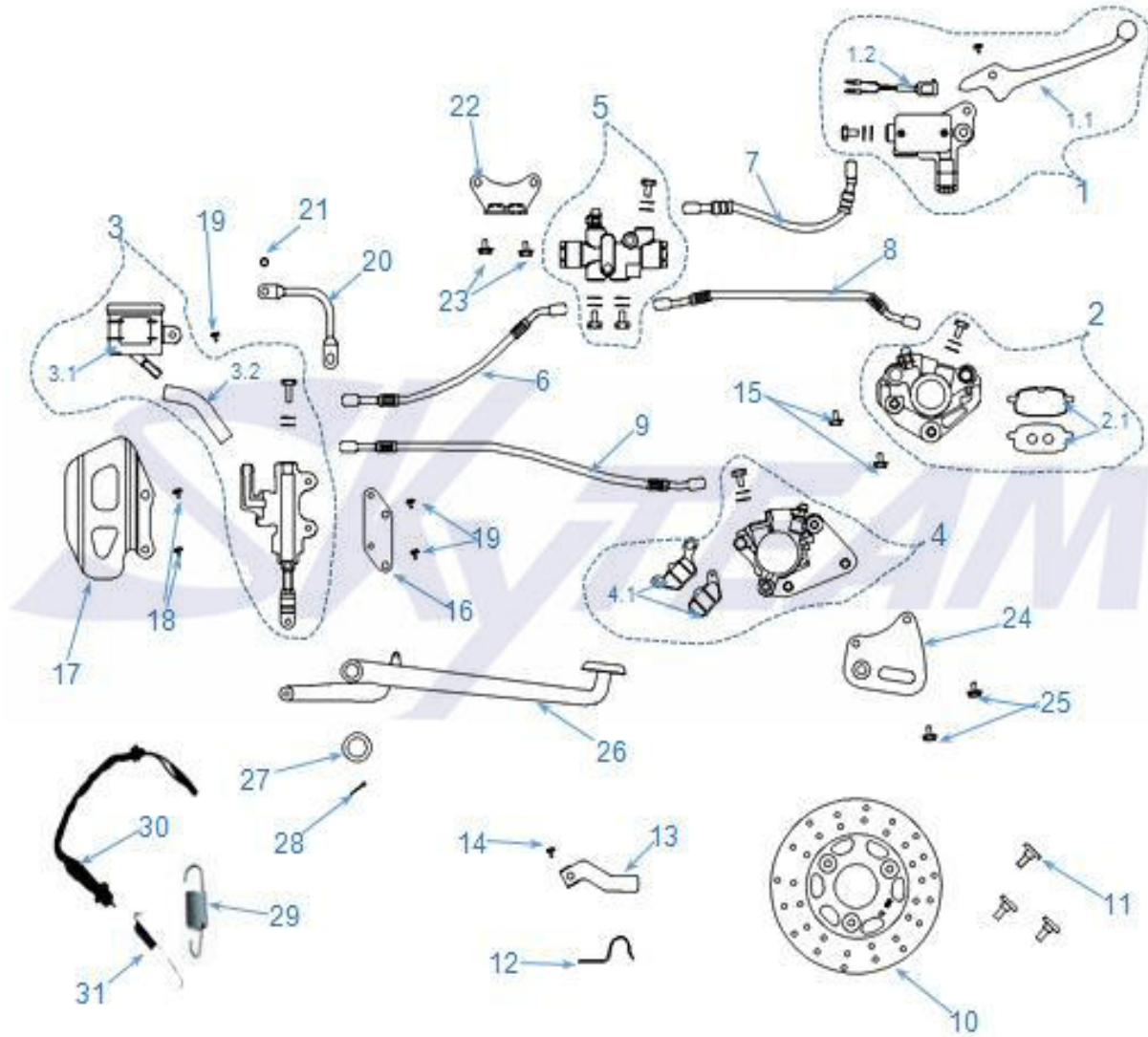
A	65000-16H00	Rear Wheel Assy		1	
1	55100-16H00	Tire		1	
2	55110-16H10	Valve Tube		1	
3	65300-16H40	Rear Rim		1	
3.1	C0722-1218B	Middle Bushing		1	
3.2	GB/T 276 6301-2RS	Bearing		2	
4	64810-16H00	Seal		1	
5	C0090-1225J	Bushing, Rear Wheel, L		1	
5	64711-14A00	Axle, Rear Wheel		1	
7	GB/T 6187.2 M12X1.25-Zn D.J	M12 Flange Nut		1	

传动部分: TRANSMISSION



1	420MH-84	Chain 84 links		1	
2	64511-16H20	Rear Sprocket		1	
3	65301-16H00	Base, Sproket		1	
3,1	GB/T 276 6203Z	Bearing		1	
3,2	65344-29A00	Oil Seal		1	
4	T0270-1217B	Spacer		1	
5	65302-29A10	Buffer Stopper		4	
6	64512-29A00	Locking plate		2	
7	GB/T 5783 M8X38-S12-Zn DH	M8X38 Bolt		4	
8	210221-Z1000	Nut		4	
9	61411-14A00	Adjuster, Chain		2	
10	61310-14A10	Chain Case		1	
11	53111-15A00	O-Ring		1	
12	GB/T 96 6-Zn.DJ	ø6 Washer		1	
13	GB/T16674 M6X16-Zn.DJ	M6X16 Bolt		1	

CBS联合制动系统: CBS (COMBINED BRAKING SYSTEM)

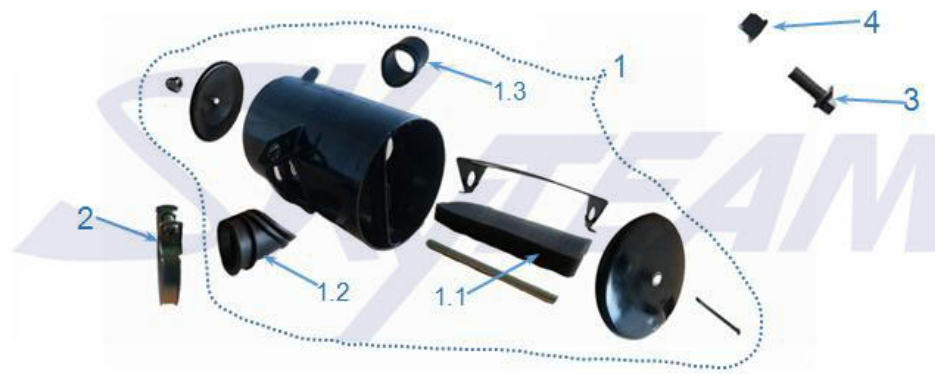


A	79000-17H00	CBS Assy		1	INCLUDING FOLLOWING
---	-------------	----------	--	---	---------------------

1	59600-17H00-SH001	Master Cylinder, Front Brake		1	
1.1	59286-17H00-SH001	Front Brake Lever		1	
1.2	59285-17H00-SH001	Front Brake Switch		1	
2	59300-17H00-SH001	Caliper, Front Brake		1	
2.1	59312-Z1000-SH001	Front Brake Pad		1	
3	69600-17H00-SH001	Master Cylinder, Rear Brake		1	
3.1		Oil Cup		1	cannot supply separately
3.2		Hose, Oil Cup		1	cannot supply separately
4	69100-17H00-SH001	Caliper, Rear Brake		1	
4.1	69112-17H00-SH001	Rear Brake Pad		1	
5	79100-17H00	PVC Valve		1	
6	69210-17H00-810	Hose,PVC Valve		1	
7	59210-17H00-370	Hose, Master Cylinder, Front Brake		1	
8	59220-17H00-460	Hose,Caliper, Front Brake		1	
9	69220-17H00-385	Hose, Rear Disc Brake		1	
10	59414-Z1000	Front Brake Disc		2	
11	58412-Z1000	Bolt		6	
12	38162-14A00	PCV Hose Clip		1	
13	59242-Z1000	Clamp, Brake Hose		1	
14	GB/T16674 M6X12-Zn.DJ	M6X12 Flange Bolt		1	
15	GB/T 16674 M8X32-9.8-Zn.DJ	M8X32 Flange Bolt		2	
16	69810-17H00	Bracket, Rear Brake Main Pump		1	
17	69820-16H00	Protection Plate, Rear Brake Main Pump		1	
18	GB70.2-2000 M6X25-304	M6X25 Flange Bolt		2	
19	GB/T16674 M6X12-Zn.DJ	M6X16 Flange Bolt		3	

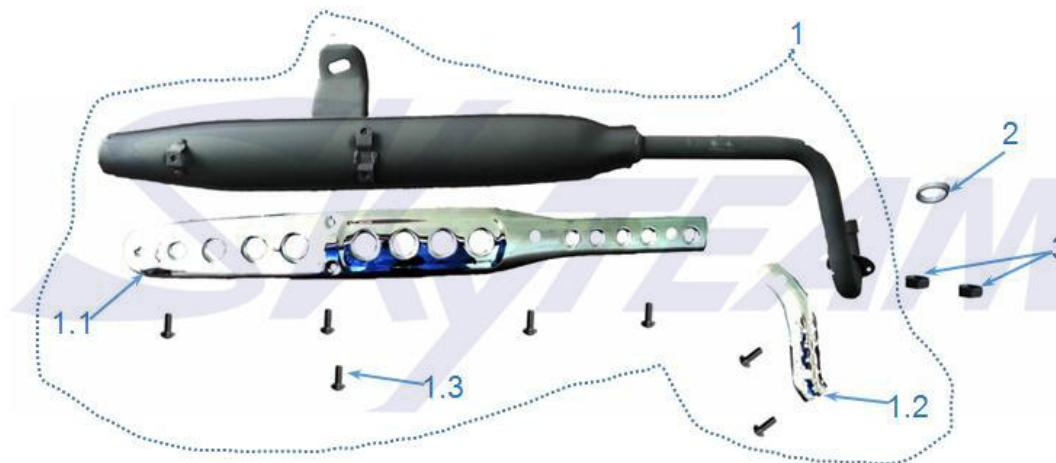
20	59242-16H00	Holder,Oil Cup		1	
21	GB/T 6177 .1 M6-Zn.DJ	M6 Flange Nut		1	
22	59700-16H00	Holder, CBS Valve		1	
23	GB/T 16674 M8X40-Zn.DJ	M8X40 Flange Nut		2	
24	65330-17H00	Mounting Plate, Rear Caliper		1	
25	GB/T70.1 M8X12-Zn.DJ	M8X12 Bolt		1	
26	43110-17H10	Rear Brake Pedal Assy		1	
27	GB/T 97.1 16-Zn.DJ	Φ16 Washer		1	
28	GB/T 91 3.2X25-Zn.DJ	Φ3.2X25 Cotter Pin		1	
29	43211-14A00	Return Spring, Rear Brake		1	
30	37750-Z1000	Brake Switch, Rear		1	
31	37741-15A00	Spring		1	

空滤: AIR CLEANER



1	13700-17H00	Air Cleaner Assy		1	
1,1	13714-14A00	Core, Air Cleaner		1	
1,2		Outlet Tube, Air Cleaner		1	
1,3		Inlet Tube, Air Cleaner		1	
2	13721-14A00	Clip		1	
3	GB/T16674 M6X12-Zn.DJ	M6x16 Flange Bolt		1	
4	GB/T 6177.1 M6-Zn.DJ	M6 Flange Nut		1	

消音器: MUFFLER

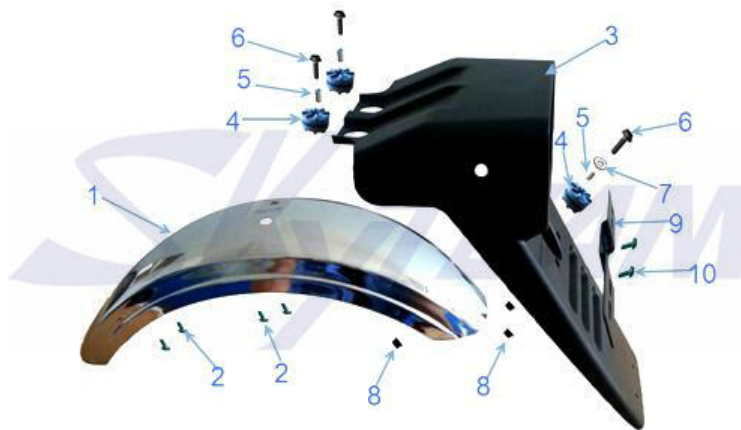


1	14300-17HA0	Muffler Comp(Color)		1	
1,1	14321-14A10	Cover, Muffler		1	
1,2	14311-14A10	Cover, EXhaust Pipe		1	
1,3	GB/T 818 M6X10	Screw		7	
2	14360-Z1000	Gasket, EXhaust Pipe		1	
3	GB/T 6177 M6-A2-70-304	M6 Nut		2	

前后泥板: FRONT&REAR FENDER



1	53110-14A00	Front Fender (Cr)		1	
2	53121-14A00	Rear Part, Front Fender		1	
3	53122-14A00	Underboarding		1	
4	GB/T16674 M6X10-Zn.DJ	M6×10 Flange Bolt		3	
5	58620-16H00	Clip		2	
6	GB/T 820 M5X10-Zn.DJ	Screw		1	
7	GB 5783 M6X12-Zn.DJ	M6×12 Bolt		4	
8	GB/T 859 6-Zn.DJ	∅6 Spring Washer		4	
9	GB 97.1 6-140HV-Zn.DJ	∅6 Washer		4	



1	63110-14A00	Rear Fender		1	
2	GB/T16674 M6X12-Zn.DJ	M6X12 Flange Bolt		4	
3	63112-14A00	Rear Part, Rear Fender		1	
4	34120-10A00	Rubber Ring		3	
5	44415-15A00	Bushing		3	
6	GB/T16674 M6X25-Zn.DJ	M6x25 Bolt		3	
7	GB/T 96 6-Zn.DJ	ø6 Washer		1	
8	GB/T 6187.1 M6-Zn.DJ	M6 Flange Nut		3	
9	45530-Y1000	Bracket, Licence Plate		1	
10	GB/T16674 M6X16-Zn.DJ	M6x16 Flange Bolt		2	

油箱:FUEL TANK



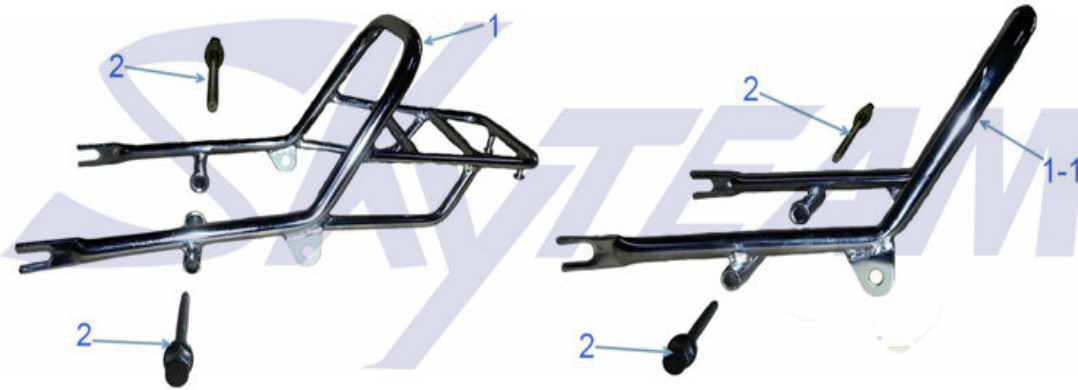
1	44110-17H01	Fuel Tank Comp		1	5.5L
2	44131-14A10	Rubber Ring, Front		1	
3	44132-14A10	Rubber Ring, Lower		2	
4	44222-14A00-G3	Fuel Cap		1	
5	34810-21G00	Fuel Level Gauge		1	
6	G1000-4080P	Hose		2	
7	GJD00-8010C	Clip		4	
8	GB/T16674 M6X12-Zn.DJ	M6X12 Bolt		2	
9	44810-15AD0	Carbon Canister		1	
10	44910-17H00	Holder,Carbon Canister		1	
11	GB/T 6177.1 M6-Zn.DJ	M6 Flange Bolt		1	
12	44820-18H00	Dumping Valve		1	
13	44110-22H00	T-Adapter		1	

座墊:SEAT



1	45100-17H00	Seat Assy (Color)		1	
2	37611-14A00	Rubber Ring		1	
3	47411-14A00	Tool Box Assy.		1	
4	13702-14A00	Band, Tool Box		1	
5	GB/T16674 M6X20-Zn.DJ	M6x20 Flange Bolt		1	
6	GB/T16674 M8X16-Zn.DJ	M8x16 Flange Bolt		2	

后货架:REAR CARRIER



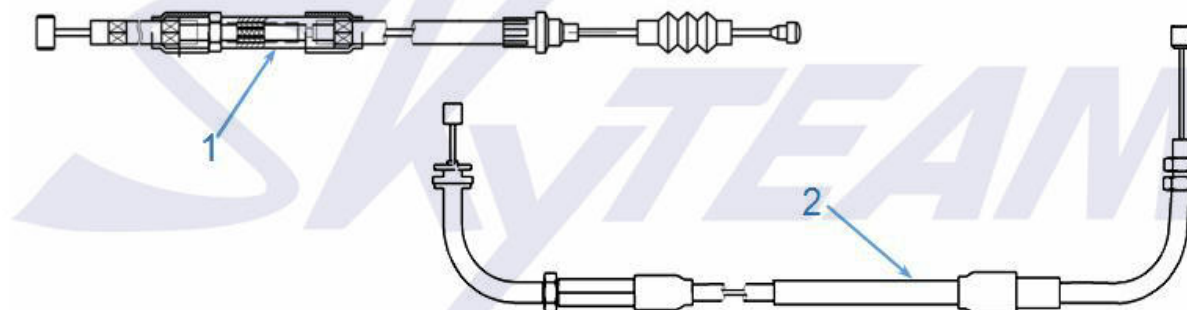
1	46110-14A10	Rear Carrier		1	
1-1	46110-14A20	Rear Handle		1	
2	GB/T16674 M8X95-Zn.DJ	M8X95 Flange Bolt		2	

后视镜: REAR MIRROR



1	56500/56600-14A00	Rearview Mirror Assy		1	
---	-------------------	----------------------	--	---	--

操纵线: CABLES



1	58400-14A00	Clutch Cable Assy		1	
2	58300-15AD0	Throttle Cable		1	

贴花: STICKERS



1	89012-14A20	Emblem		2	
2	89081-14A10	Emblem		2	
3	89011-17H00	125cc Model Decal		2	
4	89085-14A00	Fuel Tank Tape		2	

REMARK: THE PARTS MARKED IN RED ARE THE ONES WE CANNOT SUPPLY SEPARATELY.